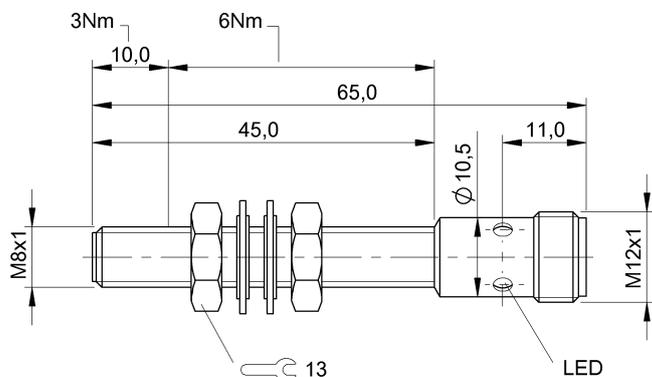


BES M08MH1-PSC20B-S04G-101
Ordering code: BES02PU

Inductive sensor
M08x65 mm
GlobalProx

DC, direct current
PNP/Normally open (NO)
Sn = 2 mm
Flush (shielded)

BALLUFF
sensors worldwide



Characteristic data

Eff. switching distance S_r	2 mm
Tolerance S_r	$\pm 10\%$
Assured operating distance S_a	1,4 mm
Hysteresis H max. (in % of S_r)	15 %
Repeat accur. R max. (% of S_r)	5 %
Ambient temperature	-25...70 °C
Temp. drift max. (% of S_r)	10%
Switching freq. f max.	700 Hz
Ready delay t_v max.	30 ms
Utilisation category	DC 13
Function indicator	Yes
Power-on indicator	No
Short-circuit protected	Yes
Degree of protection as per IEC 60529	IP67
Protected against polarity reversal	Yes
Protected against reverse connection	Yes

Electrical data

Operating voltage	
Rated operating voltage U_e DC	24 V
Ripple max. (% of U_e)	15 %
Voltage drop static max.	2,5 V
Rated insulation voltage U_i	75 DC V
Effective operating current I_e	200 mA
No-load current I_0 damped	10 mA
No-load current I_0 undamped	5 mA

Off-state current I_r max.	20 μ A
Minimum operating current I_m	0 mA
Rated short circuit current	100 A
Output resistance R_a	33.0k + D
Load capacitance max. (at U_e)	1 μ F
Principle of operation	Inductive

Mechanical data

Housing material	CuZn
Surface protection	Nickel-plated
Sensing surface material	Ceramic coating
Tightening torque max.	3 Nm / 6 Nm
Mounting length	45 mm
Connection type	Connector
Connector type	M12x1-S04
Shock rating	Shock, half-sinus, 30 gn, 11ms
Vibration rating	55 Hz, 1 mm ampl., 3x30 min
Degree of contamination	3

Basic data

Basic standard	IEC 60947-5-2
----------------	---------------

Remarks

The sensor is functional again after the overload has been eliminated.
Embeddable: See installation notes for inductive sensors with extended switching distance 825357.
Sn: reduced by coating thickness of 0.2 mm.



Definitions see main catalog

subject to change

BES M08MH1-PSC20B-S04G-101
Ordering code: **BES02PU**

Inductive sensor
M08x65 mm
GlobalProx

DC, direct current
PNP/Normally open (NO)
Sn = 2 mm
Flush (shielded)

BALLUFF
sensors worldwide

