



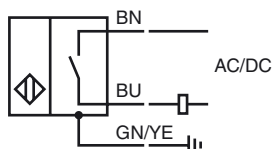
## Model Number

NBB15-30GM50-US

## Features

- Basic series
- 15 mm embeddable
- 2-wire AC/DC

## Connection

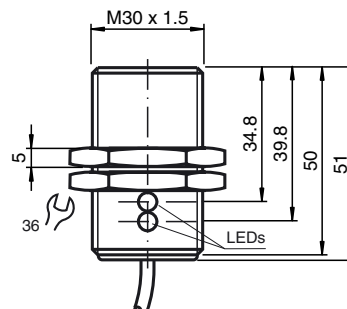


## Accessories

### EXG-30

Quick mounting bracket with dead stop

## Dimensions



## Technical Data

### General specifications

Switching element function	AC/DC	NO
Rated operating distance	$s_n$	15 mm
Installation		embeddable
Output polarity		AC/DC NO
Reduction factor $r_{AI}$		0.5
Reduction factor $r_{Cu}$		0.45
Reduction factor $r_{303}$		0.75

### Nominal ratings

Operating voltage	$U_B$	20 ... 250 V AC/20 ... 300 V DC
Switching frequency	$f$	30 Hz
Hysteresis	H	3 ... 15 typ. 5 %
Reverse polarity protected		tolerant
Short-circuit protection		yes
Voltage drop	$U_d$	$\leq 8$ V
Operating current	$I_L$	4 ... 500 mA AC/DC
Off-state current	$I_r$	$\leq 0.8$ mA
Operating voltage display		LED, green
Indication of the switching state		LED, yellow

### Ambient conditions

Ambient temperature	-25 ... 70 °C (-13 ... 158 °F)
---------------------	--------------------------------

### Mechanical specifications

Connection type	cable PUR , 2 m
Core cross-section	0.5 mm <sup>2</sup>
Housing material	brass, nickel-plated
Sensing face	PBT
Protection degree	IP67

### Compliance with standards and directives

Standard conformity	
Standards	EN 60947-5-2:2007 IEC 60947-5-2:2007

### Approvals and certificates

UL approval	cULus Listed, General Purpose
CSA approval	cCSAus Listed, General Purpose
CCC approval	Certified by China Compulsory Certification (CCC)